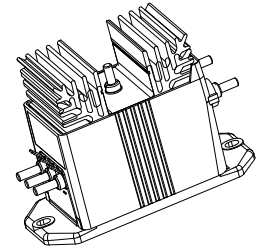


## Voltage Transducer LV 100-800

For the electronic measurement of voltages: DC, AC, pulsed..., with galvanic isolation between the primary circuit (high voltage) and the secondary circuit (electronic circuit).



$$V_{PN} = 800 \text{ V}$$



### Electrical data

$V_{PN}$	Primary nominal voltage rms	800	V
$V_{PM}$	Primary voltage, measuring range	0 .. $\pm 1200$	V
$I_{PN}$	Primary nominal current rms	12.5	mA
$R_M$	Measuring resistance	$R_{M \min}$ $R_{M \max}$	
	with $\pm 15 \text{ V}$	@ $\pm 800 \text{ V}_{\max}$	0   210 $\Omega$
		@ $\pm 1200 \text{ V}_{\max}$	0   120 $\Omega$
$I_{SN}$	Secondary nominal current rms	50	mA
$K_N$	Conversion ratio	800 V : 50 mA	
$V_C$	Supply voltage ( $\pm 5 \%$ )	$\pm 15$	V
$I_C$	Current consumption	$< 32 + I_s$	mA

### Accuracy - Dynamic performance data

$X_G$	Overall accuracy @ $V_{PN}$ , $T_A = 25^\circ\text{C}$	$\pm 0.9$	%
$\epsilon_L$	Linearity error	$< 0.1$	%
$I_O$	Offset current @ $I_p = 0$ , $T_A = 25^\circ\text{C}$	Typ	$\pm 0.2$ mA
		Max	$\pm 0.2$ mA
$I_{OT}$	Temperature variation of $I_O$ $0^\circ\text{C} \dots +70^\circ\text{C}$	$\pm 0.2$ $\pm 0.3$	mA
$t_r$	Response time to 90 % of $V_{PN}$ step	100	$\mu\text{s}$

### General data

$T_A$	Ambient operating temperature	0 .. +70	$^\circ\text{C}$
$T_S$	Ambient storage temperature	-25 .. +85	$^\circ\text{C}$
$N_P$	Turns ratio	8000 : 2000	
$P$	Total primary power loss	10	W
$R_1$	Primary resistance @ $T_A = 25^\circ\text{C}$	64	k $\Omega$
$R_S$	Secondary coil resistance @ $T_A = 70^\circ\text{C}$	55	$\Omega$
$m$	Mass	790	g
	Standards	EN 50178: 1997	

### Features

- Closed loop (compensated) voltage transducer using Hall effect
- Isolated plastic case recognized according to UL 94-V0
- Primary resistor  $R_1$  incorporated within the housing.

### Advantages

- Excellent accuracy
- Very good linearity
- Low temperature drift
- Optimized response time
- Wide frequency bandwidth
- No insertion losses
- High immunity to external interference.

### Applications

- AC variable speed drives and servo motor drives
- Static converters for DC motor drives
- Uninterruptible Power Supplies (UPS)
- Power supplies for welding applications.

### Application domain

- Industrial.

## Voltage Transducer LV 100-800

### Isolation characteristic

$V_d$	Rms voltage for AC isolation test, 50 Hz, 1 min	6	kV
$\hat{V}_w$	Impulse withstand voltage 1.2/50 $\mu$ s	10.9	kV
		Min	
<b>dCp</b>	Creepage distance	55.12	mm
<b>dCl</b>	Clearance distance	27.9	mm
<b>CTI</b>	Comparative Tracking Index (group I)	600	

### Applications examples

According to EN 50178 and IEC 61010-1 standards and following conditions:

- Over voltage category OV 3
- Pollution degree PD2
- Non-uniform field

	EN 50178	IEC 61010-1
<b>dCp, dCl, <math>\hat{V}_w</math></b>	Rated insulation voltage	Nominal voltage
Single insulation	800 V	800 V
Reinforced insulation	800 V	800 V

### Safety



This transducer must be used in electric/electronic equipment with respect to applicable standards and safety requirements in accordance with the manufacturer's operating instructions.



Caution, risk of electrical shock

When operating the transducer, certain parts of the module can carry hazardous voltage (eg. primary busbar, power supply).

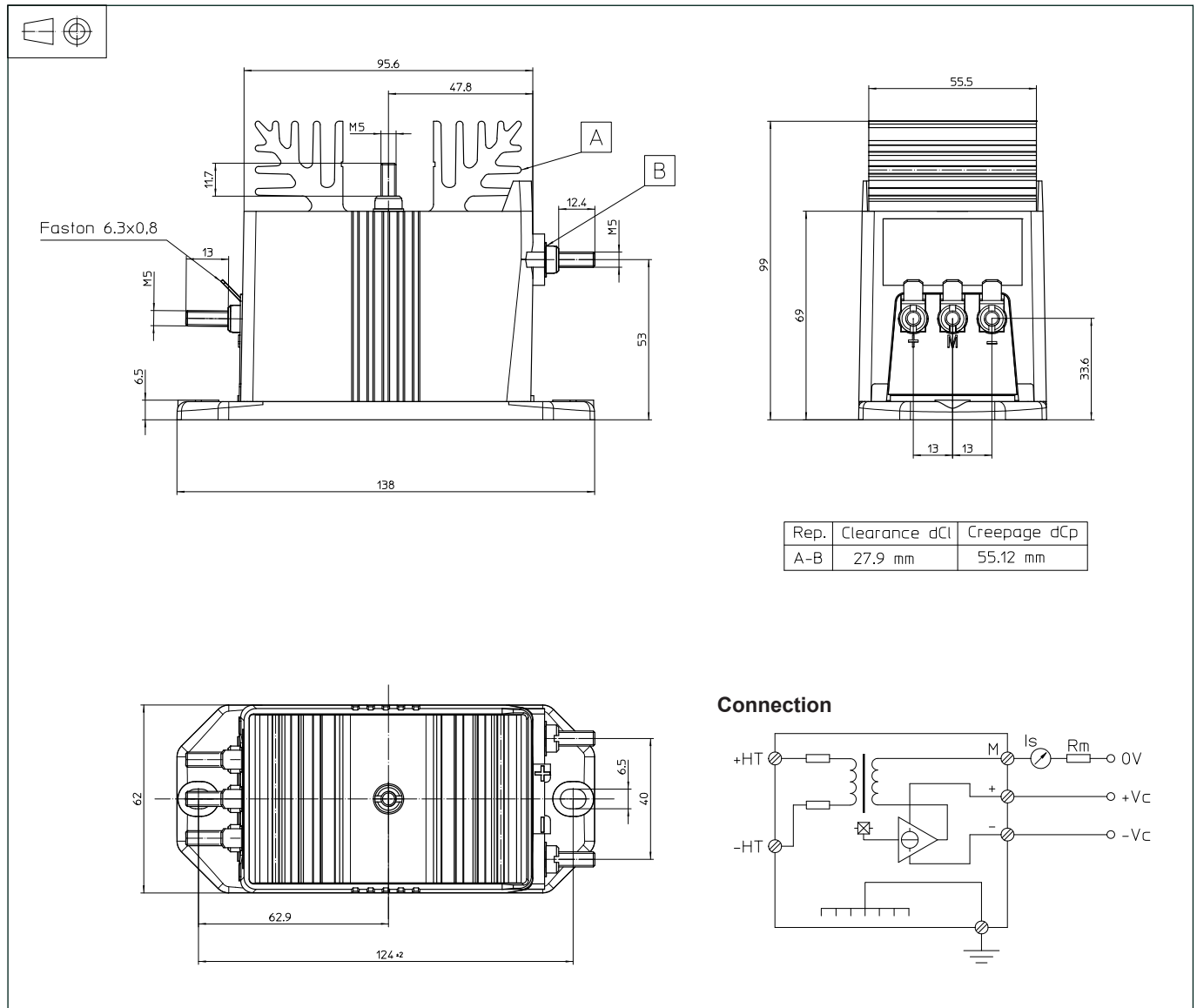
Ignoring this warning can lead to injury and/or cause serious damage.

This transducer is a build-in device, whose conducting parts must be inaccessible after installation.

A protective housing or additional shield could be used.

Main supply must be able to be disconnected.

## Dimensions LV 100-800 (in mm)



### Mechanical characteristics

- General tolerance  $\pm 0.3$  mm
- Transducer fastening 2 holes  $\varnothing 6.5$  mm,  
2 M6 steel screws
- Recommended fastening torque 5 Nm
- Connection of primary M5 threaded studs
- Connection of secondary Faston 6.3 x 0.8 mm
- Connection of ground M5 threaded stud
- Recommended fastening torque 2.2 Nm

### Remarks

- $I_s$  is positive when  $V_p$  is applied on terminal +HT.
- The primary circuit of the transducer must be linked to the connections where the voltage has to be measured.
- This is a standard model. For different versions (supply voltages, turns ratios, unidirectional measurements...), please contact us.